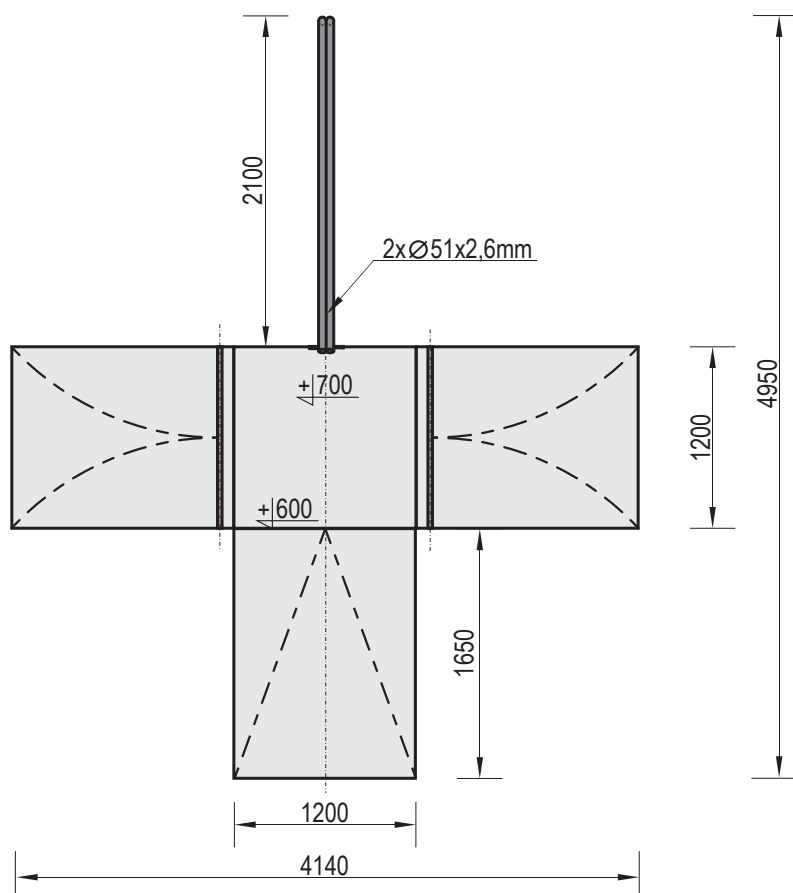
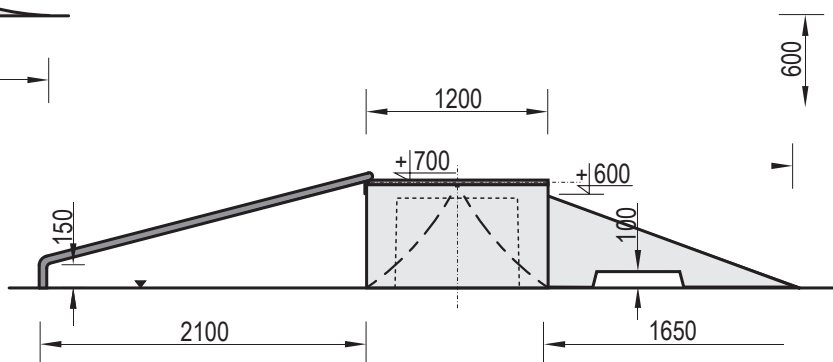
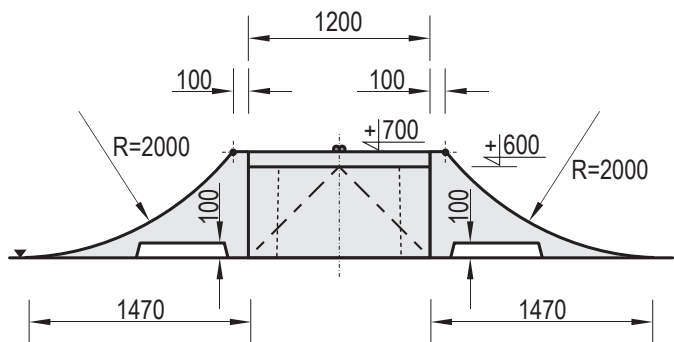


Article 105070
Fun Box 50



2'500 kg