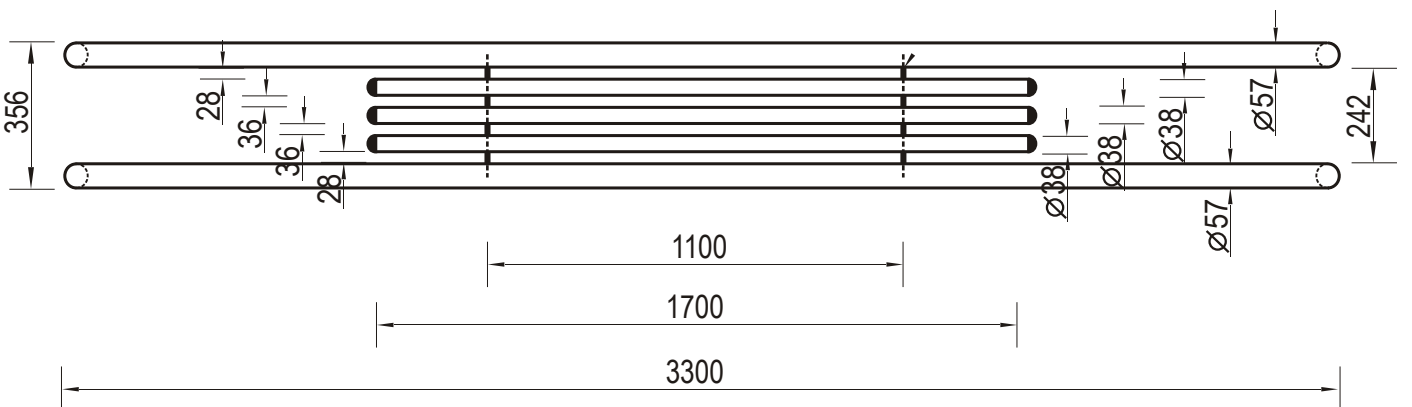
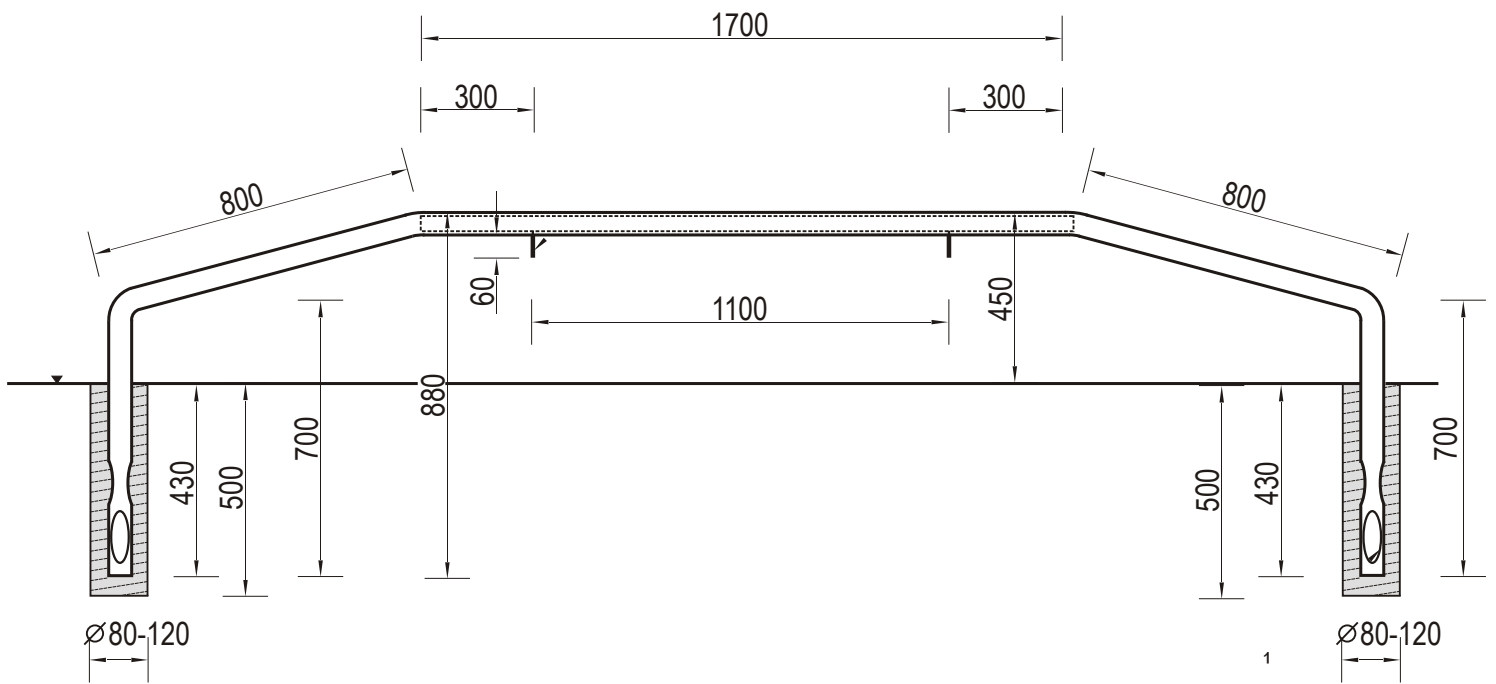


Article 104
Double Rail



200 kg